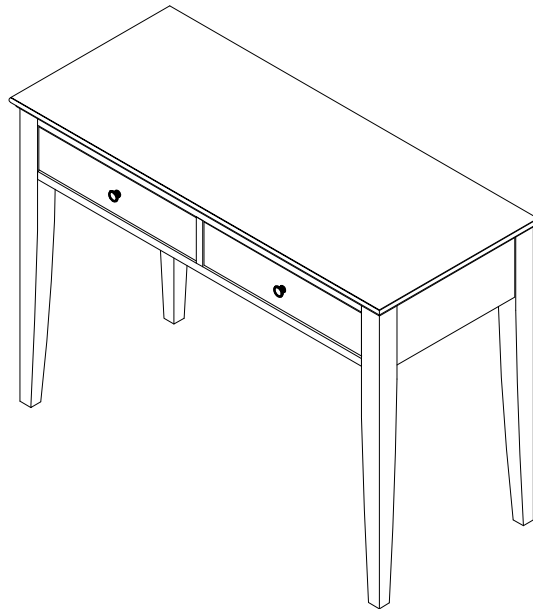


ASHBY DRESSING TABLE

Stock Number: 7900-90

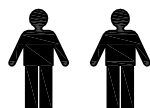
Thank you for purchasing this product. Please read the instructions carefully before use to ensure safe and satisfactory operation of this product.



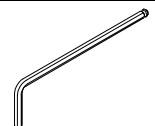
Pre-assembly preparation

Please ensure instructions are read in full before attempting to assemble this product.

Necessary Tools



(Included)



A cross head screwdriver only should be used to assemble this product, an electric drill may cause damage to the product and is not recommended.

Please check the pack contents before attempting to assemble this product. A full checklist of components is given in this leaflet. If any components are missing, please contact the retailer from whom you bought this product.

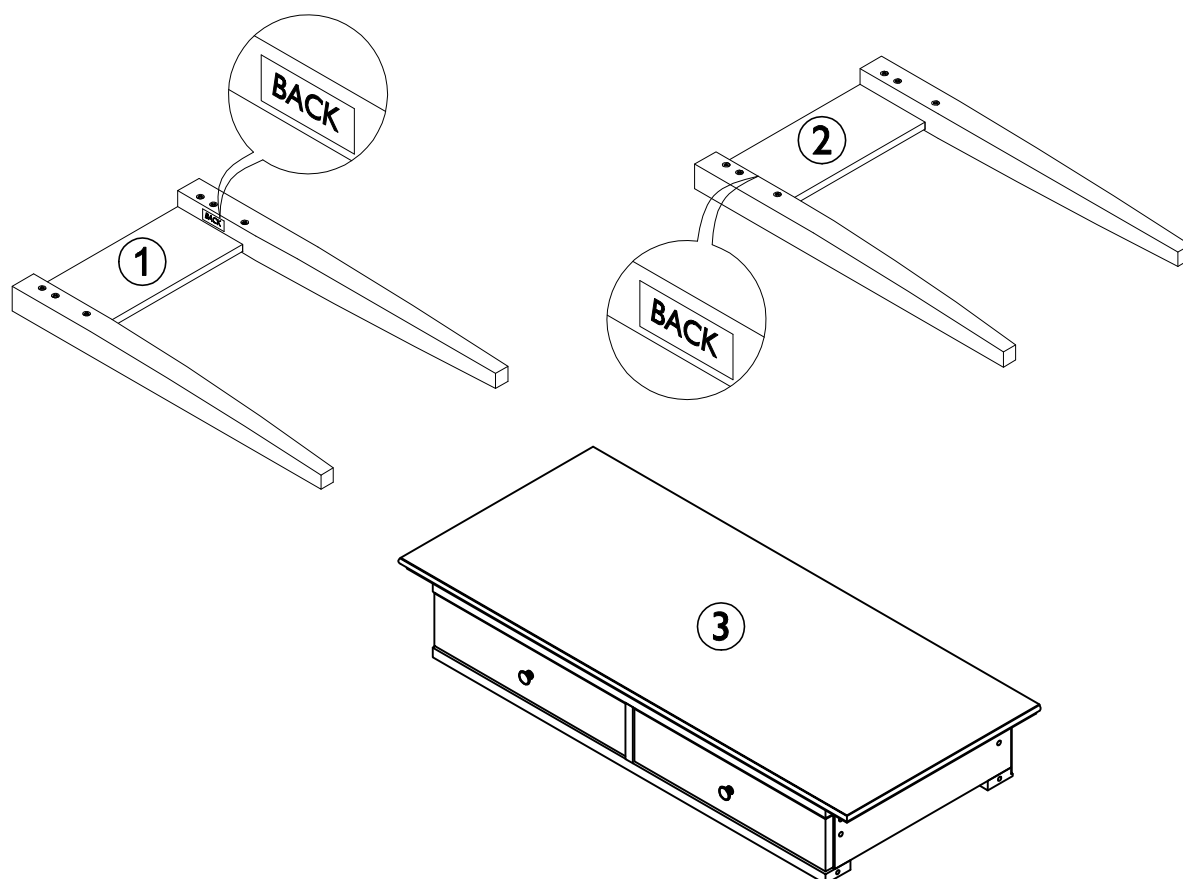
This product takes approximately **30 MINUTES** to assemble with **2 PEOPLE**.

All assembly should be performed on a flat, stable, clean and soft surface.


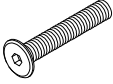
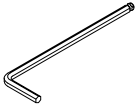
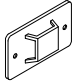



This product is **HEAVY**, it should be assembled as near as possible to the point of use. **TAKE CARE WHEN LIFTING** to avoid personal injury and (or) damage to the product

The fitting pack contains **SMALL ITEMS** which should be **KEPT AWAY FROM YOUNG CHILDREN**.

IMPORTANT: Retain these instructions for future reference.

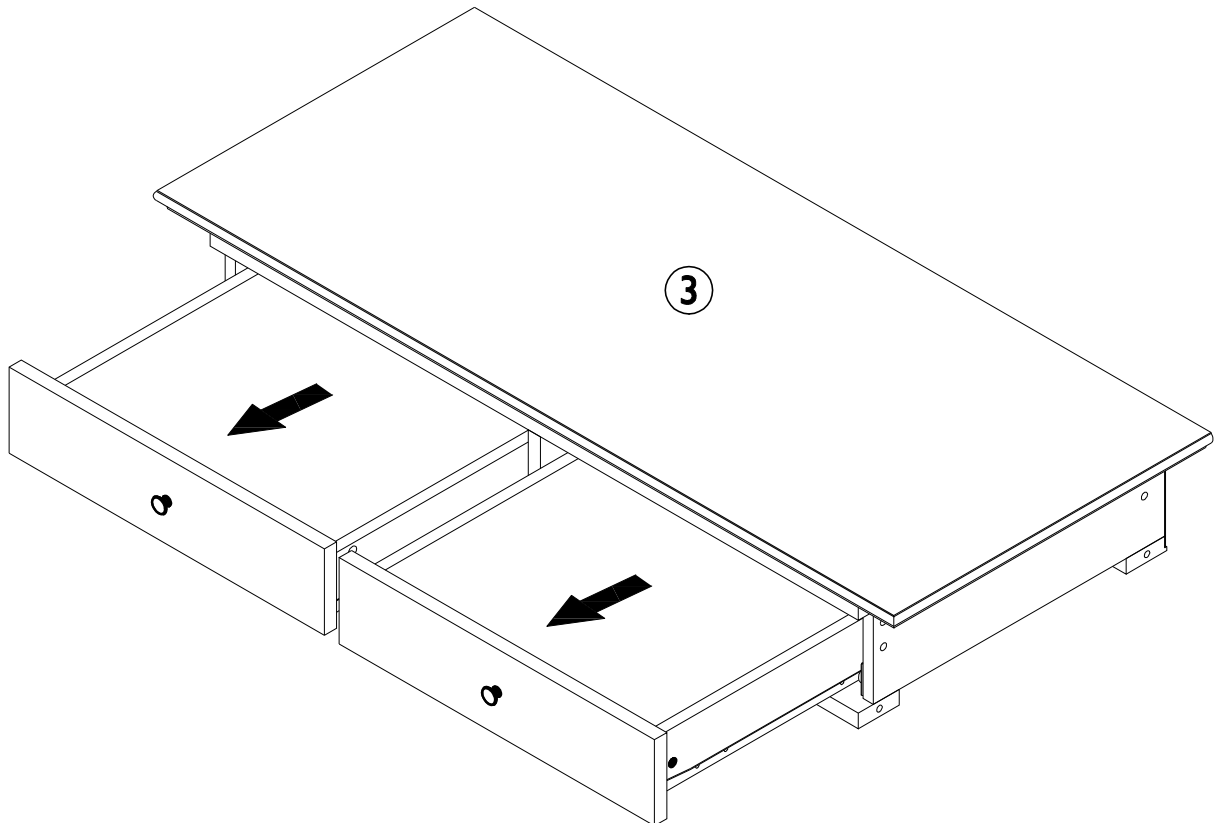


Fittings and parts checklist

Item	Description	Qty.	Item	Description	Qty.
1	Left leg frame	x 1	3	Drawer box unit	x 1
2	Right leg frame	x 1			
A	Steel dowel Ø7x49.5mm	x 4	B	Grub screw Ø12x10.2mm	x 4
	"O" Ring 				
C	Hex head bolt M6x35mm	x 8	D	Allen key M4x30x107mm	x 1
					
E	Mounting plate	x 2	F	Nylon strap	x 1
					
G	Flat head screw Ø4x15mm	x 2	H	Flat head screw Ø4x25mm	x 2
					

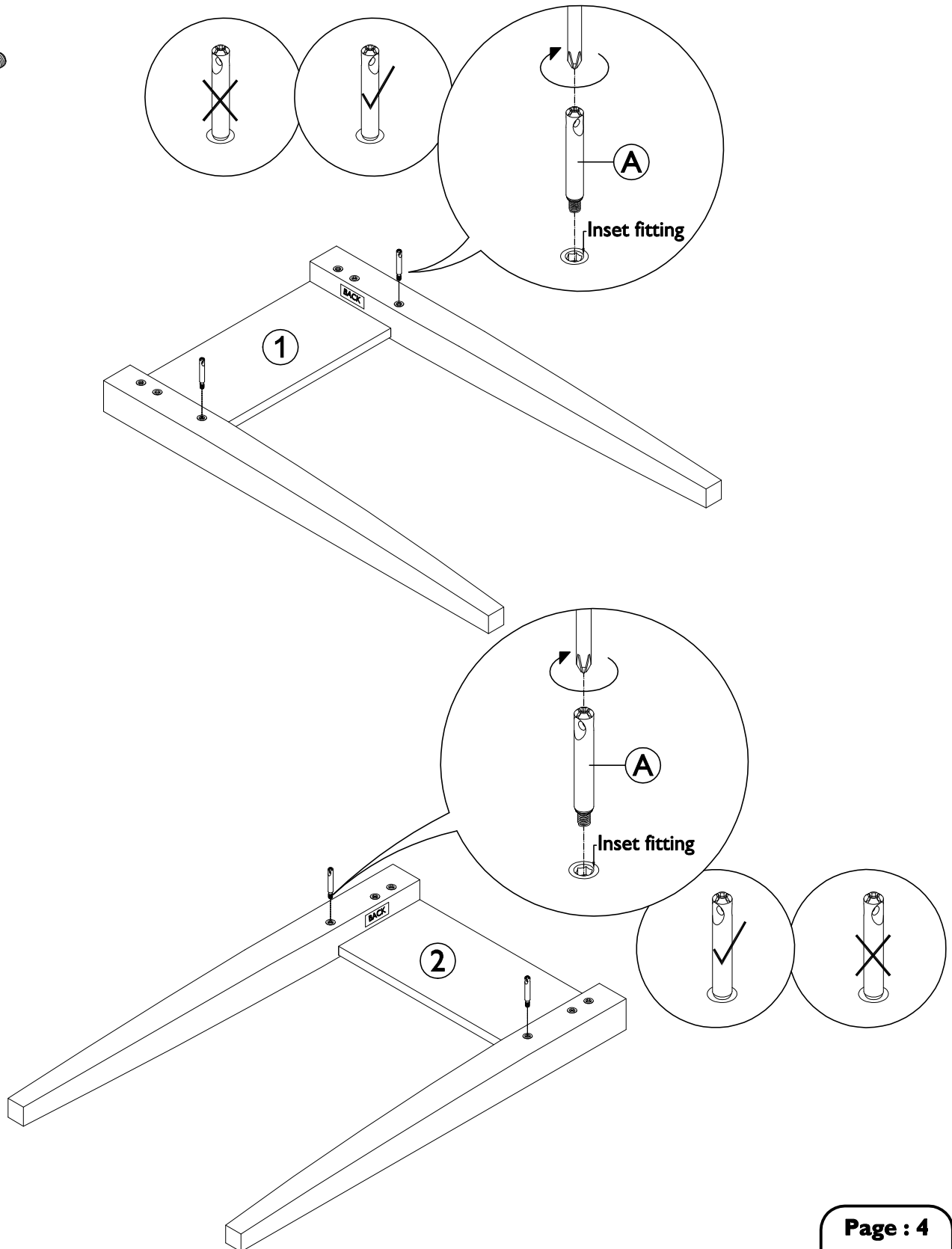
Step by step assembly instructions

Step 1 : Pull out the drawers as shown.



Step By Step Assembly Instructions

- Step 2**
- 2.1 : Lay all parts on a flat, stable, clean and soft surface.
- 2.2 : Attach 4x steel dowels (A) into left & right leg frames (1) & (2) by screwing fittings (A) into the inset fittings that are located inside parts (1) & (2) as shown. Ensure the direction of the holes on fittings (A) are facing correctly as per diagram. Use a pozi screwdriver to turn fittings (A) clockwise to fix.



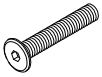
Step By Step Assembly Instructions

- Step 3**
- 3.1 : Attach right leg frame (2) onto drawer box unit (3) as shown. Ensure steel dowels (A) are aligned correctly with the holes of mating parts before attaching.
- 3.2 : Secure right leg frame (2) to drawer box unit (3) by screwing 2x grub screws (B) into the inset fittings that are located on both ends of part (3) and using 4x hex head bolts (C) as shown. Use a screwdriver to turn fittings (B) and allen key (D) to turn fittings (C) clockwise to fix.

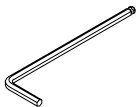
Fitting



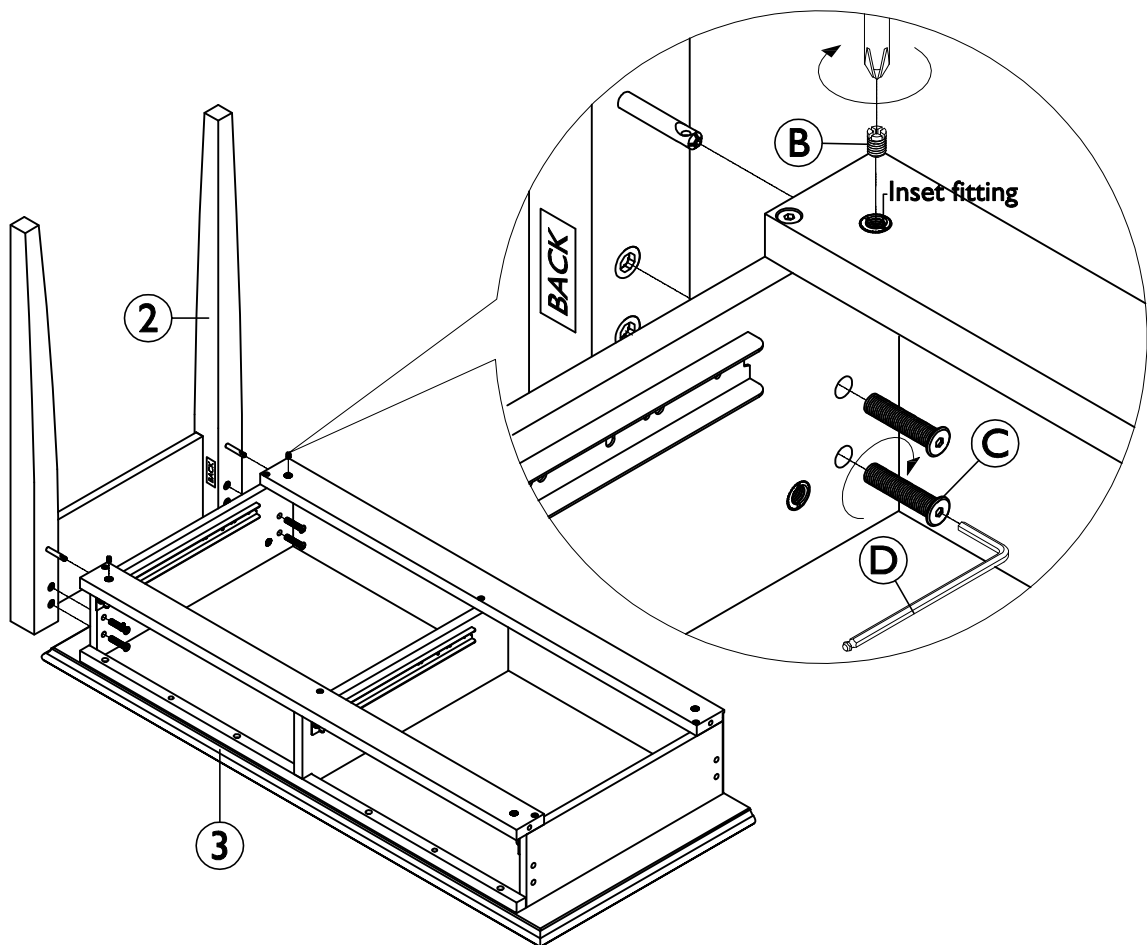
B x 2



C x 4



D x 1



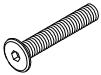
Step By Step Assembly Instructions

- Step 4**
- 4.1 : Attach left leg frame (1) onto drawer box unit (3) as shown. Ensure steel dowels (A) are aligned correctly with the holes of mating parts before attaching.
- 4.2 : Secure left leg frame (1) to drawer box unit (3) by screwing 2x grub screws (B) into the inset fittings that are located on both ends of part (3) and using 4x hex head bolts (C) as shown. Use a screwdriver to turn fittings (B) and allen key (D) to turn fittings (C) clockwise to fix.
- 4.4 : Stand the unit upright.

Fitting



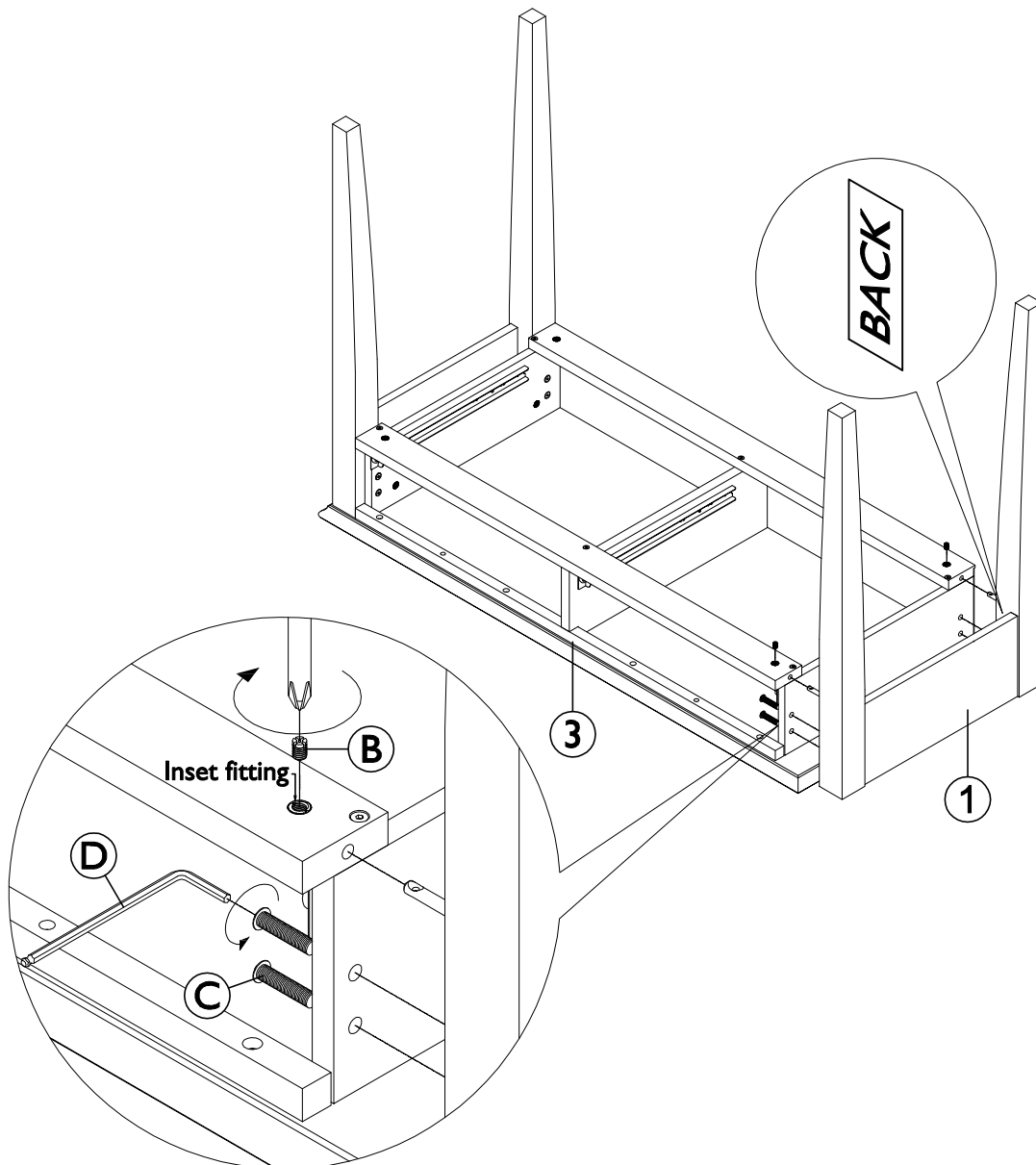
B x 2



C x 4

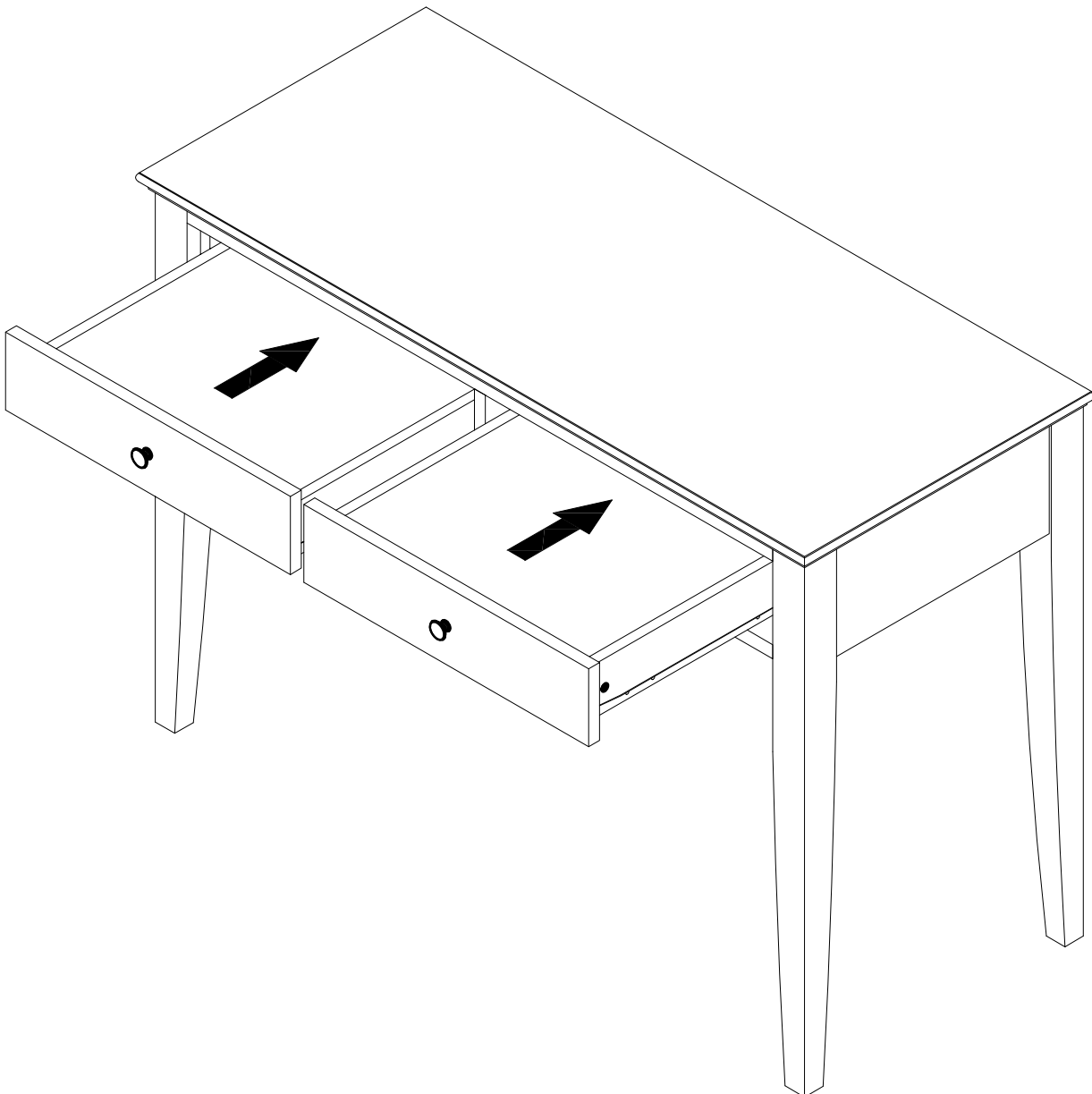


D x 1



Step by step assembly instructions

Step 5 : Push in the drawers as shown.



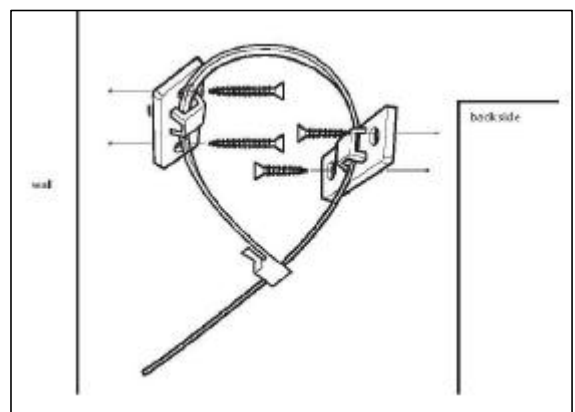
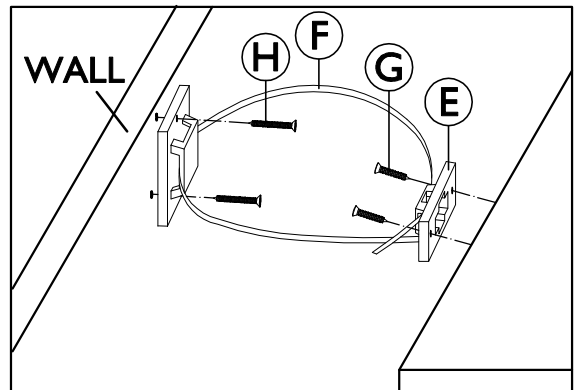
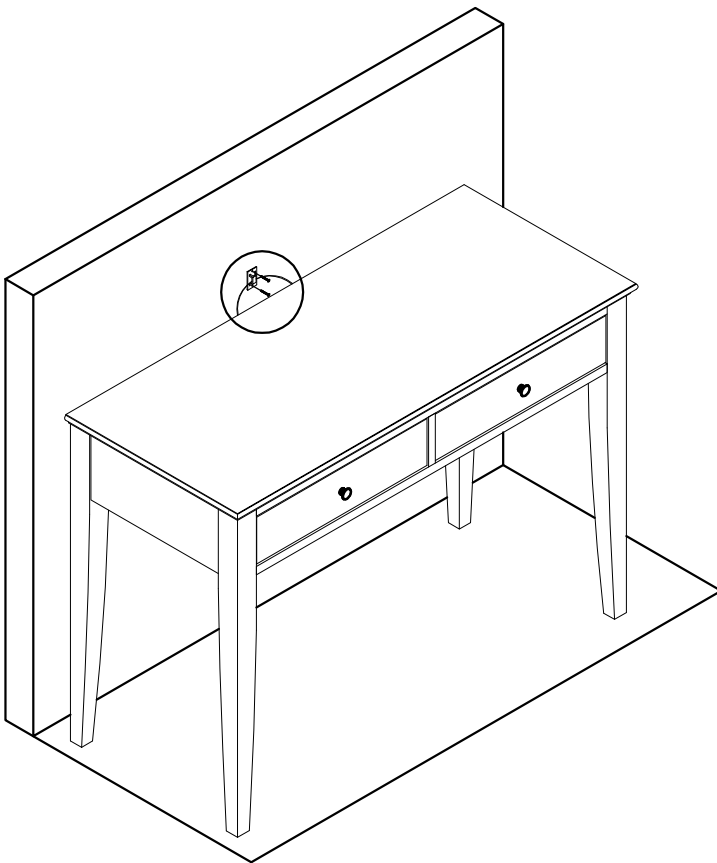
TIP KIT INSTRUCTIONS

Notice:

Notice: To prevent injury and property damage from unexpected tipping of furniture, we highly recommend installation of the anti-tip kit included with this product.

Attaching furniture to wall with anti-tip kits

1. Determine where the piece is to be placed and mark location on the wall for the mounting bracket screw holes. They should be placed approximately 1" below the top on the back of the piece of furniture.
2. Attach the mounting bracket vertically to the wall by inserting the long screws provided through the holes in the bracket and tighten securely using screwdriver. Screws must penetrate wall studs for proper installation.
3. Next using the short screws attach the 2nd bracket to the back of the piece of furniture's top.
4. Lace the nylon strap down through the brackets. Slide the thin end of the strap through the receiving end on the nylon strap. Pull to tighten the piece of furniture snug against wall.



CARE INSTRUCTIONS:

1. Hardware may loosen overtime. Periodically check that all connections are tight and retighten as necessary.
2. Wipe with a soft, dry cloth. To protect finish, avoid the use of chemicals and household cleaners.

Care and Maintenance

Wood Furniture

Wood displays different grain patterns depending on which way they are cut - for example, the 'medullary ray' which can appear on oak furniture is a mark of good quality timber - these are just characteristics of the natural beauty of the wood.

Some furniture is also deliberately aged and rustic.

Wood veneers also allow distinctive patterns to be created on some surfaces, such as table tops and drawer fronts by the way slivers are arranged.

All timber and veneer surfaces will change colour and mellow over time. New furniture will initially vary in shade from items that have been previously purchased.

How to care for your wood furniture

Dust with a clean, damp, lint free cloth. Frequent dusting will remove abrasive build up, which can damage the finish over time.

Do not use a very wet cloth or allow any liquid to contact with the veneers for a long period of time as this can permanently damage the surface. Wipe up spills immediately.

Do not use any abrasive cleaner or harsh detergent as this can damage the surface of the furniture.

Spray polishes are best avoided as they contain silicones which may spoil the furniture's surface when building up over time.

Make sure all surfaces are protected from heat and liquids by mats and coasters.

Ensure that a mat or pad is placed under paper when you are writing on the furniture surface.

Do not place rubber or plastic materials on the wood finish as chemicals within may react with the finish if left in contact for an extended period of time.

Our furniture will endure most temperatures in the home but it is best to avoid placing furniture next to heat sources such as radiators or fires. Be particularly careful with solid wood as the lack of humidity caused by home heating can cause damage such as warping, cracking or splitting.

Excessive exposure to sunlight can cause fading of your furniture.

Safety Instructions:

Never drag furniture when moving it. Always lift it.

Periodically check all fixings to ensure none have come loose. Re-tighten when necessary.

Please take care when handling or moving the furniture as careless handling may cause damage or injury.

Furniture can be dangerous if incorrectly assembled. Assembly should be carried out by a competent person.

No liability will be accepted for damage or injury caused by incorrectly installed or assembled furniture.

Heavy item warning:

It is recommended to seek assistance when moving a heavy object. Take care when lifting to avoid personal injury and (or) damage to the product.

It is recommended that before moving a heavy object to a new location it is completely dis-assembled to avoid personal injury or damage to the furniture. Please be careful to retain all fittings when doing this.

PLEASE KEEP THESE INSTRUCTIONS FOR FUTURE REFERENCE